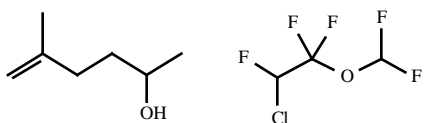


Organic Chemistry II CHEM 335
EXAM 1.0 KEY *Sept. 24, 1999*

1.

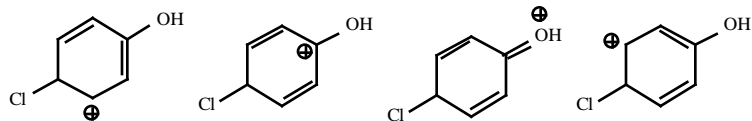


2. a) $D < A < B < C$

b) $C < D < A < B$

3. $B < A < C$

4.



5. a) quartet

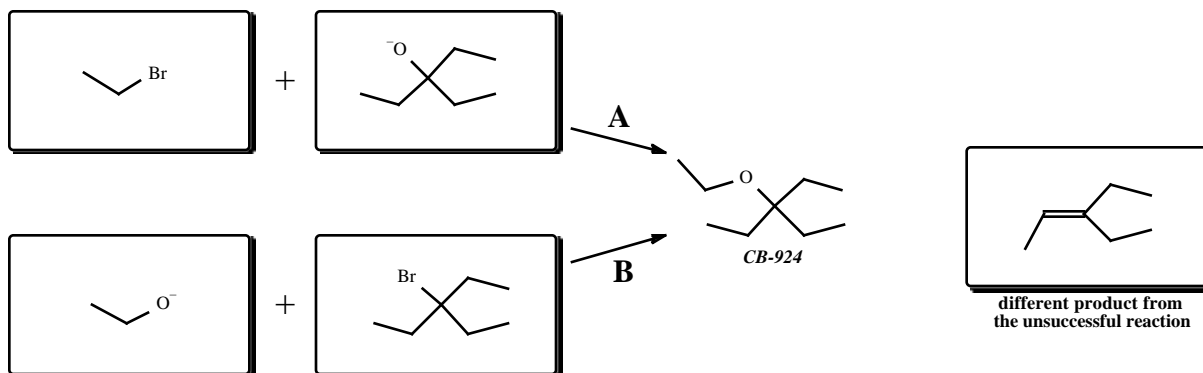
b) singlet

c) doublet

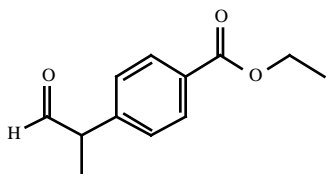
d) multiplet or doublet of doublet

e) triplet

6.



7.



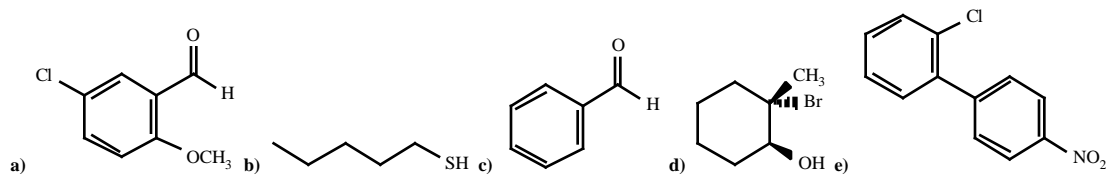
8. a) POCl_3 , pyridine

b) RCO_3H

c) 1. \triangle 2. H_3O^+

d) Jones' reagent

9.



10.

